

DT-PT2100 / DT-2110 Series Datasheet

Piezoresistive Digital Pressure Transmitters



Features

- Accuracy of $\pm 0.5\%$ F.S. (DT-PT2100)
- Accuracy of $\pm 0.25\%$ F.S (DT-PT2110)
- Ranges from 0-2Bar to 0-600Bar, IP66
- 4-20mA, 0-5VDC, 0-10VDC &/OR RS485 Modbus output types
- HART output available
- 12-30 Vdc supply
- Silicon oil-filled piezoresistive sensing element
- 316SS Wetted parts
- 4 bit LCD display with Alarm Setting (or Optional Blind Version)
- Intelligent digital signal processing
- CE Certification

Applications

- Tank level monitoring
- Pumping Systems
- Pipeline
- HVAC and Boiler Systems
- Energy and Resource Industries
- Water and Wastewater treatment



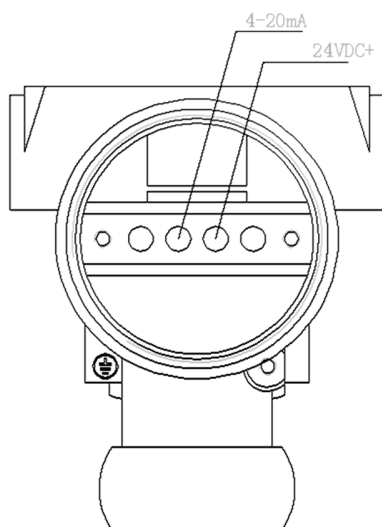
Description

The DT-PT2100/2110 series of pressure transmitters are designed for industrial automation and process control.

The wetted parts are made of 316L stainless steel. The pressure sensing elements are selected from well-known international brands, manufactured in Germany. Special circuits are adopted to adjust zero offset and full scale range conveniently. The products are approved with CE certificates.

Customized ranges and output formats can be designed according to special application requirements, in addition to standard products.

Pinout & Dimensions



Pressure Port Connect Format			
1	M20x15	3	G 1/4
2	NPT 1/2	4	G 1/2

Electrical Connection Format	
two-wire	4~20mA
three-wire	0~5V, 0.5~4.5V, 1~5V, 0~10V
RS485 +/-	Terminal Markings A+ / B-
Power	Terminal Markings +/-

Daytech Pty Ltd

Measurement and Control Technology for the Process and Environmental Industries.

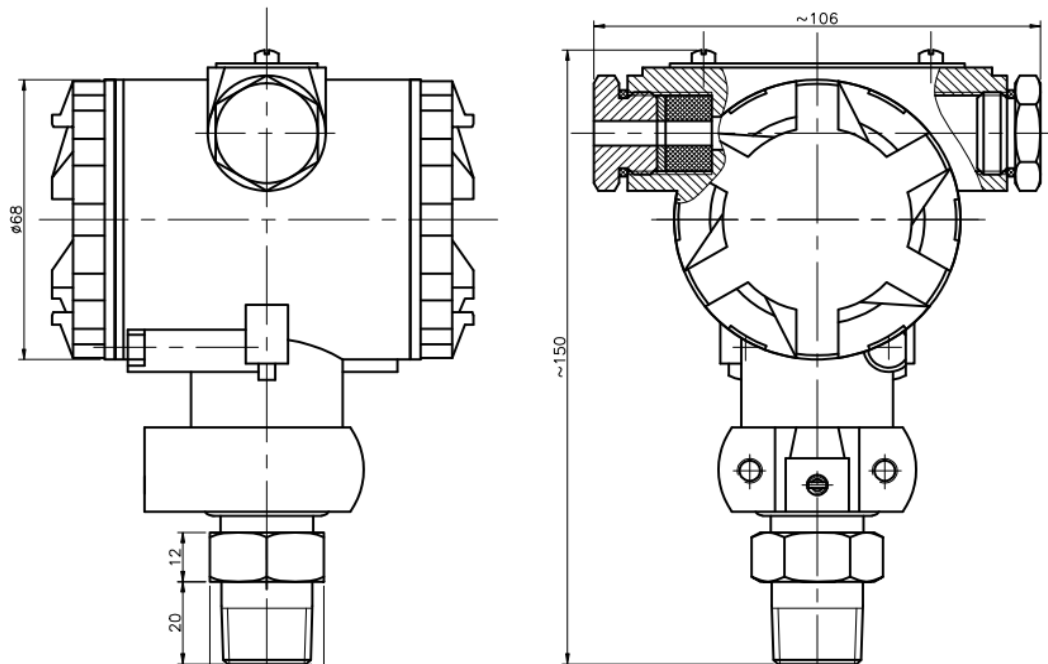
www.daytechonline.com

sales@daytechonline.com

DT-PT2100 / DT-2110 Series Datasheet

Piezoresistive Digital Pressure Transmitters

DAYTECH



Technical Specifications

Parameter	Value			Note
Measurement Range	0MPa.....0.2MPa...60.0MPa (0-2Bar to 0-600Bar)			
Maximum Overload Pressure	2×RP(rated pressure)			
Burst Pressure	3.0×RP(rated pressure)			
Accuracy	±0.5%F.S (DT-PT2100) ±0.25%F.S (DT-PT2110)			
Stability	Typical value 0.2%F.S / year			
Operating Temperature	- 25°C~+85°C			
Sensing element compensation temperature	-10°C~+70°C			Optional
Media Compatibility	Corrosive medium compatible with 316SS			
LCD	4 Bit LCD Standard Version			Optional Blind
Analogue Signal Wires	Two-wire	Three -wire		
Output Signal	4~20mA	0/1-5Vdc	0-10Vdc	
Power Supply	10~30Vdc	10~30Vdc	12~30Vdc	
Communication Signal	RS485 Modbus digital signal only (DT-PT2110A) RS485 Modbus + analogue (DT-PT2110B)			
Power Intension	500V@60 second			
Insulation	> 100M Ω@50V			
Electrical connector	M20 Gland IP66			
Pressure Connection	M20×1.5 G1/2 G1/4 NPT1/2			
Response Time	10ms			
Pressure Form	Gauge G			
Compliance Certification	RoHS, CE			
EMC	EMI:EN50081-1/-2: EMS: EN50082-2			

Daytech Pty Ltd

Measurement and Control Technology for the Process and Environmental Industries.

www.daytechonline.com

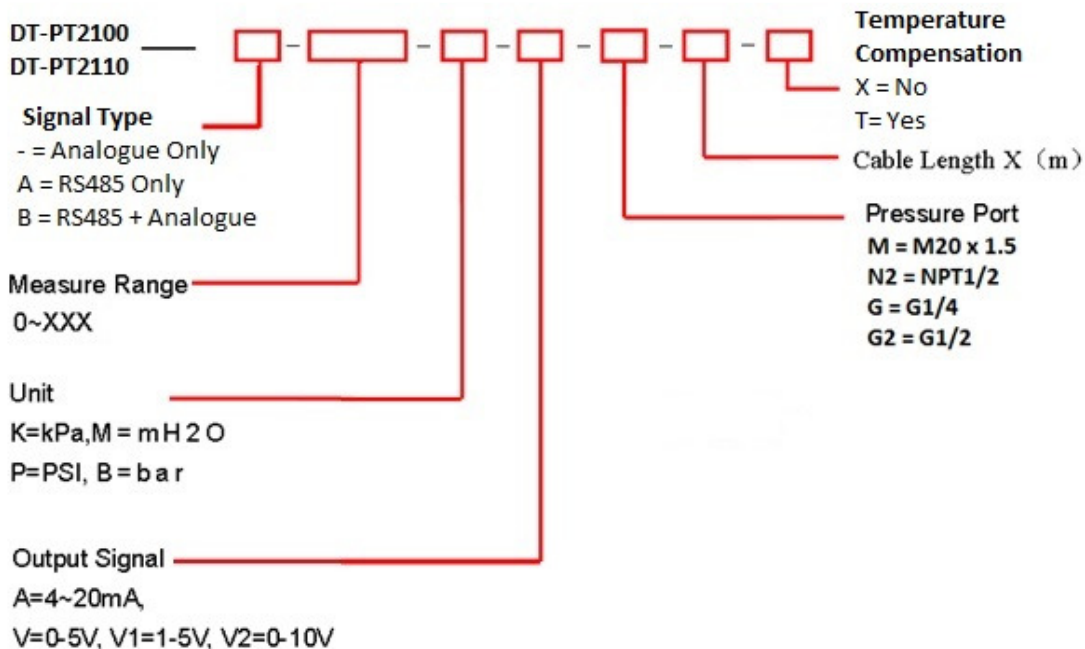
sales@daytechonline.com

DT-PT2100 / DT-2110 Series Datasheet

Piezoresistive Digital Pressure Transmitters

DAYTECH

Selection Guide



High Temperature Option – Please specify on order

The DT-PT2100/2110 series of pressure transmitters can be manufactured to order for high temperature applications, such as steam or cooker applications. Please enquire with our engineering sales team for further application and technical specification details.



Daytech Pty Ltd

Measurement and Control Technology for the Process and Environmental Industries.

www.daytechonline.com

sales@daytechonline.com