

DT-PS1010 Series Datasheet

Piezoresistive Pressure Transmitters



Features

- Accuracy of $\pm 0.5\%$ F.S
- Ranges from 0-2Bar to 0-600Bar, IP68
- 4-20mA, 0-5V and 0-10V output types
- 12-30 Vdc supply
- Diffused silicon pressure transmitter
- Multi-measurement range and output signal
- Non-polarity two wire current output available
- Wide choice of pressure and electrical outputs
- CE Certification

Applications

- Water and Wastewater treatment
- Tank level monitoring
- Irrigation
- Circulating fluid monitoring
- Gas dispenser
- HVAC and Refrigeration
- Hydraulic control
- Energy and Resource Industries



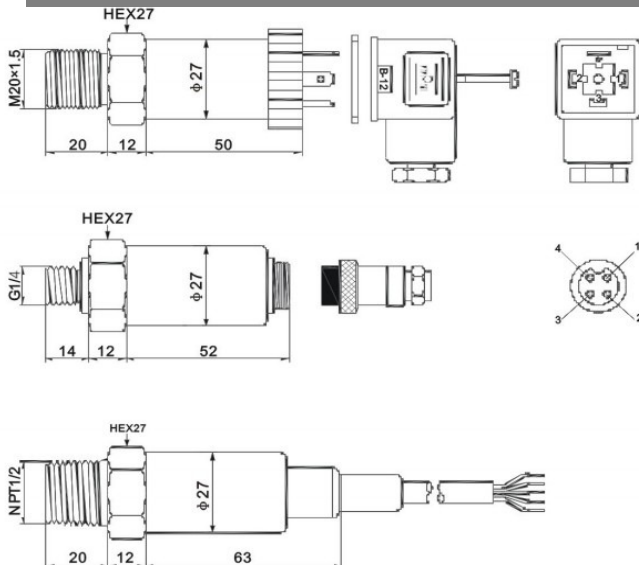
Description

The DT-PS100 series of pressure transmitters are cost effective products featuring mass production and low cost. They are widely used to detect the pressure of gas and liquid like water and natural gas.

The products are made of stainless steel. The pressure sensing elements are selected from well-known international brands. Special circuits are adopted to adjust zero offset and full scale range conveniently. The products are approved with CE certificates.

Customized structures and output formats can be designed according to special application requirements, in addition to standard products.

Dimensions & Pinout



Interface Definition				
Plug	two-wire	cable	three-wire	cable
1	Power	red	Power	red
2	Output	blue/green	GND	black
3			Output	blue/green
4(E)	Shield	yellow	Shield	yellow

Pressure Port Connect Format			
1	M20x15	3	G 1/4
2	NPT 1/2	4	G 1/2

Signal Output Format	
two-wire	4~20mA
three-wire	0~5V, 0.5~4.5V, 1~5V, 0~10V

Daytech Pty Ltd

IoT Measurement and Control Technology for the Process and Environmental Industries.

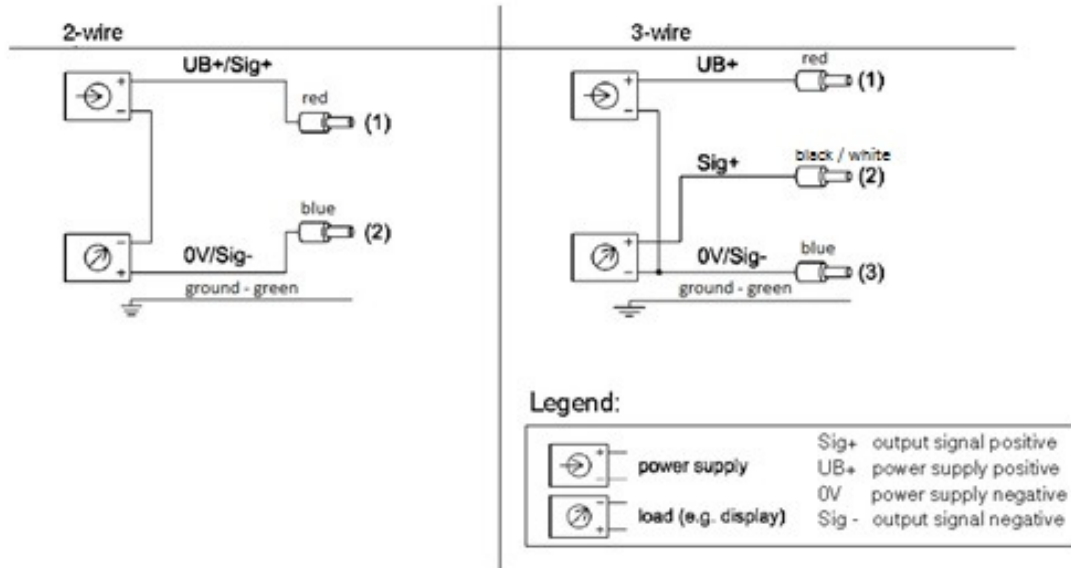
www.daytech.io
sales@daytech.io

DT-PS1010 Series Datasheet

Piezoresistive Pressure Transmitters



Wiring Diagram (Typical)



Technical Specifications

Parameter	Value		Note
Measurement Range	0MPa.....0.2MPa...60.0MPa (0-2Bar to 0-600Bar)		
Maximum Pressure	1.5×RP(rated pressure)		
Burst Pressure	3.0×RP(rated pressure)		
Accuracy	±0.5%F.S		
Stability	Typical value 0.25%F.S, maximum:0.4%F.S		
Operating Temperature	- 40°C~+120°C		
Sensing element compensation temperature	-10°C~70°C		
Media Compatibility	Corrosive medium compatible with Cr18Ni9Ti		
Wires	Two-wire	Three -wire	
Output Signal	4~20mA	0/1-5Vdc	0-10Vdc
Power Supply	10~30Vdc	12~30Vdc	12~30Vdc
Power Intension	500V@60 second		
Insulation	> 100M Ω@50V		
Electrical connector	DIN43650, Air plug,Fixed line sets, IP68		
Pressure Connection	M20×1.5 G1/2 G1/4 NPT1/2 R1/2		
Response Time	10ms		
Pressure Form	Gauge G; Absolute A		
Compliance Certification	RoHS, CE		
EMC	EMI:EN50081-1/-2: EMS: EN50082-2		

Daytech Pty Ltd

IoT Measurement and Control Technology for the Process and Environmental Industries.

www.daytech.io

sales@daytech.io

Selection Guide

