

DT-TT & DT-TS Series Datasheet

Temperature Transmitters / Sensors

DAYTECH

DT-TT Temperature Transmitter

Features

- Accuracy of ± 0.5 F.S to $\pm 1.0\%$ F.S
- Measuring Range of -50°C to 300°C , IP66
- 4-20mA (2 wire), 0-5V output types
- 10-30 Vdc supply
- PT100 Sensor Element
- CE Certification

Applications

- Tank Temperature monitoring
- Pipeline Temperature monitoring
- Water Treatment
- Irrigation
- HVAC
- Mining
- Manufacturing



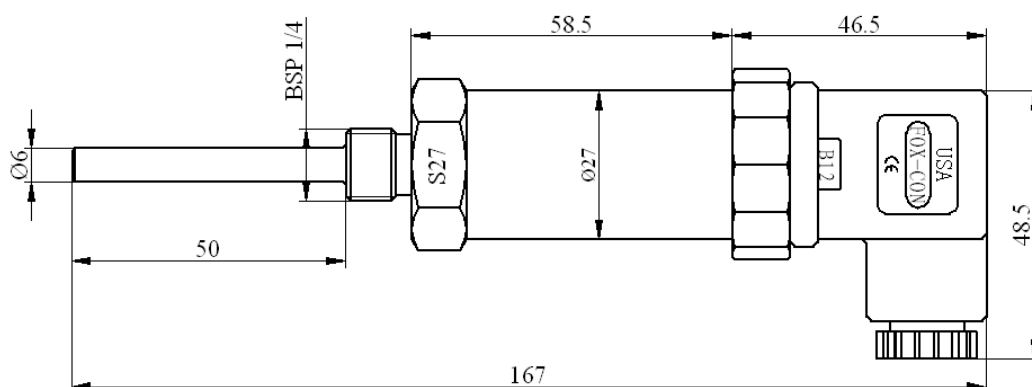
DT-TT

Description

Daytech's DT-TT uses a PT100 platinum resistance temperature sensor element and special digital integrated circuit for signal processing. The instrument is high precision with stable performance, convenient installation and economically priced. The installation method and process connection size can be customized according to user requirements.

DT-TT temperature transmitter is used in variety of industrial applications including Water Treatment, Irrigation, HVAC, Mining, Manufacturing and more.

Dimensions



Daytech Pty Ltd

Measurement and Control Technology for the Process and Environmental Industries.

www.daytechonline.com

sales@daytechonline.com

DT-TT & DT-TS Series Datasheet

Temperature Transmitters / Sensors

DAYTECH

DT-TS Temperature Sensor

Features

- Measuring Range of -50°C to 300°C, IP66
- Pt100 direct lead output (3 wire)
- Grade A
- M12x1.5 Screw Size
- CE Certification

Applications

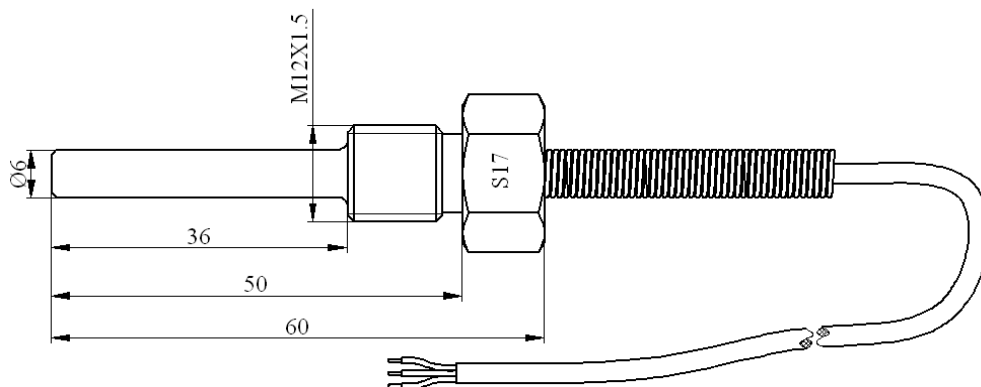
- Tank Temperature monitoring
- Pipeline Temperature monitoring
- Water Treatment
- Irrigation
- HVAC
- Mining
- Manufacturing

Description

Daytech's DT-TS uses a PT100 platinum resistance temperature sensor element with stainless steel structural components. The instrument is high precision with stable performance, convenient installation and economically priced.

CS-TT-02 temperature transmitter is used in variety of industrial applications including Water Treatment, Irrigation, HVAC, Mining, Manufacturing and more.

Dimensions



Daytech Pty Ltd

Measurement and Control Technology for the Process and Environmental Industries.

www.daytechonline.com

sales@daytechonline.com